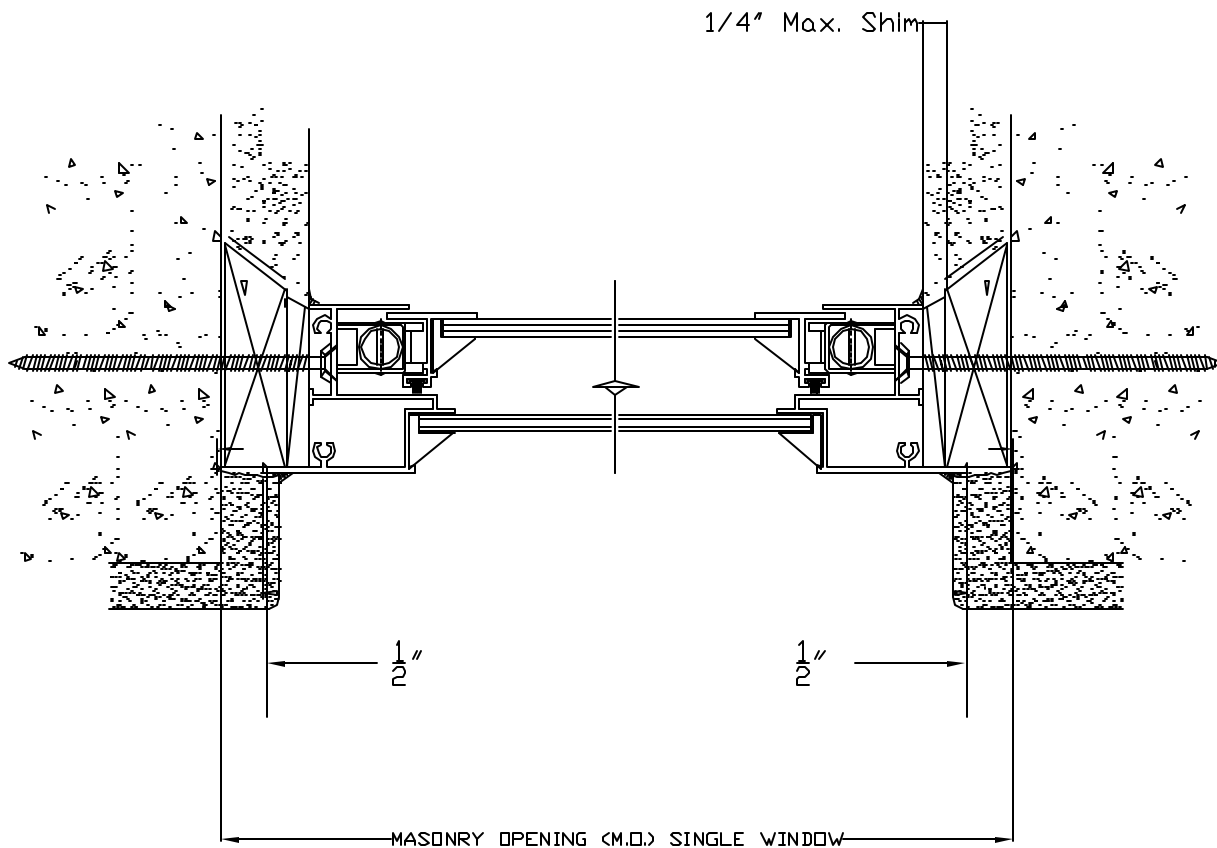
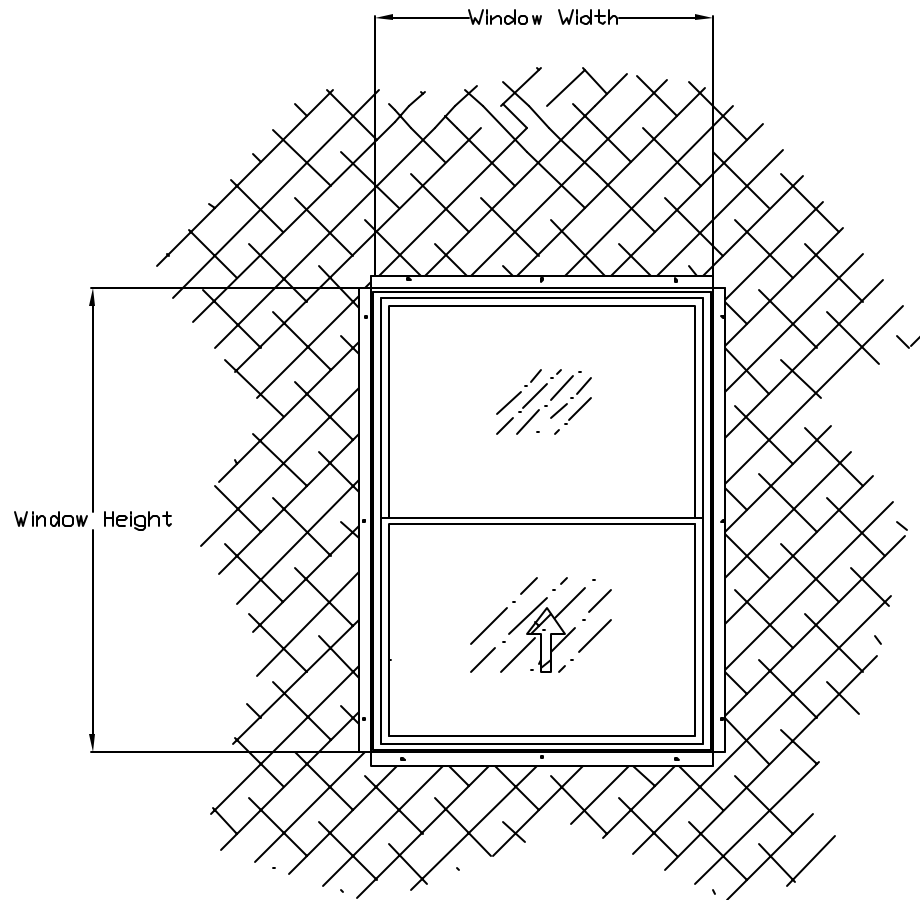


Widths below are calculated using Lawson standard 1" wide mulls.
 1/16" has been added for EACH mull for 3 or more joined windows.
 The chart is based upon using a 3/4" (0.75") thick buck.
 The masonry opening height is the flange window height.

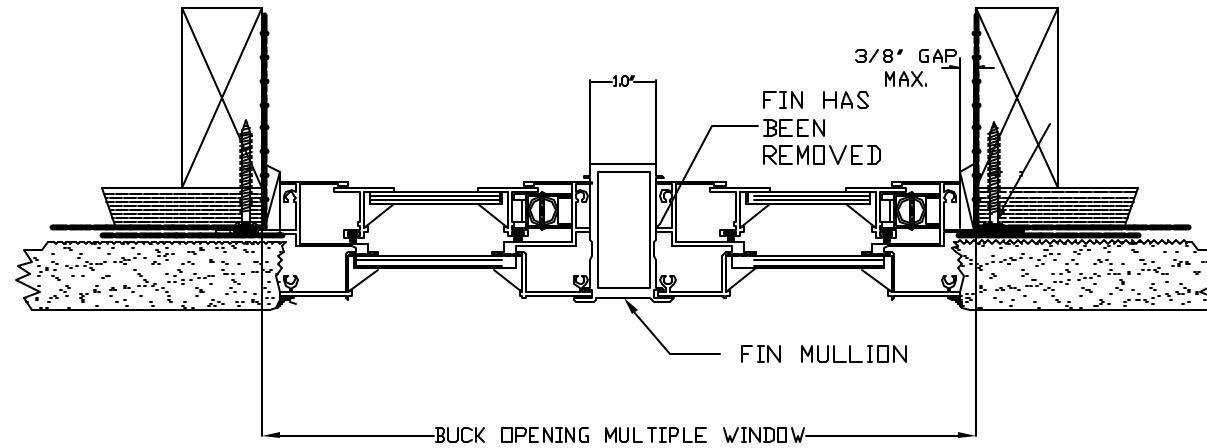


Window Size >	19 1/8	26 1/2	37	53 1/8
Quantity	1 Wide	1/2 Wide	2 Wide	3 Wide
1 Window	20 1/8	27 1/2	38	54 1/8
2 Windows	39 1/4	54	75	107 1/4
3 Windows	58 7/16	80 9/16	112 1/16	160 7/16
4 Windows	77 5/8	107 1/8	149 1/8	213 5/8
5 Windows	96 7/8	133	186 3/16	266 13/16
6 Windows	116	160 1/4	223 1/4	320

Perimeter: 0.000 Area: 0.000 Wgt./Lb: 0.000 Material: Surface Area: 0.000 Est. Class: 0.000					8501 N.W. 90 ST. MEDLEY, FLORIDA 33166 PH No. (305) 884-8880	
Est. Class: 0.000 Surf.: 0.000 C: 0.000					MANUFACTURER OF QUALITY ALUMINUM WINDOWS AND GLASS DOORS	
Drawn By: Date Drawn: 06/01/08 Checked By: Date Checked: --/--/--			MASONRY OPENING WIDTHS FOR 7500 SINGLE HUNG FLANGE FRAME WINDOWS		Part Numbers: Drawing Number: Revision Level:	
Factor: 000 Code: 0.000 Scale: 1/2"						

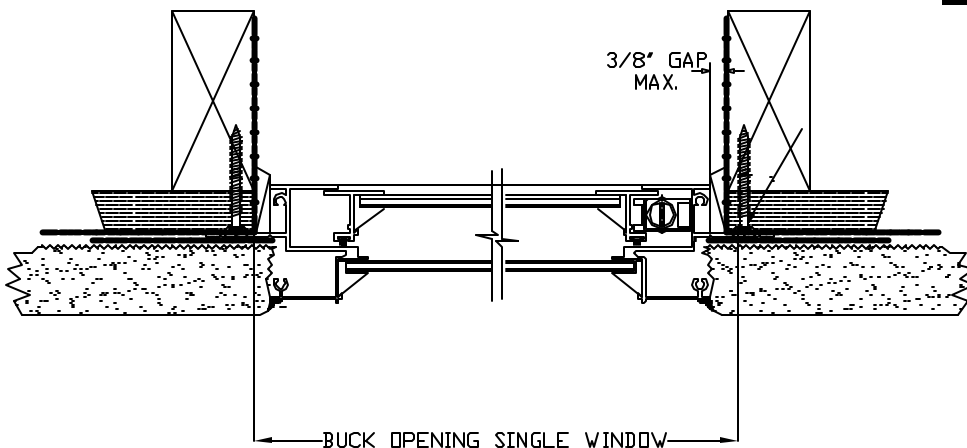


ELEVATION
FIN FRAME S.H. WINDOW



Inside Window Size	18 1/16	25 1/2	36	52 1/8
Quantity	1 Wide	1/2 Wide	2 Wide	3 Wide
1 Window	18 5/8	26 3/4	36 1/2	52 5/8
2 Windows	37 3/4	52 1/2	73 1/2	105 3/4
3 Windows	57 15/16	79 1/16	110 9/16	158 15/16
4 Windows	76 1/8	105 5/8	147 5/8	212 1/8
5 Windows	95 5/16	132 3/16	184 11/16	265 5/16

Buck opening width for multiple windows joined with mull is +0" -1/8".
 1/16" has been added for EACH mull for 3 or more joined windows.
 Widths are calculated using Lawson standard 1" wide mulls.



Perimeter 0.000 Area 0.000 Wgt./Pn 0.000			Material: Surface Area: 0.000 Est. Class: 0.000			Drawn By: Tom Nelson Drawn Date: 06/01/08 Revised By: --- Date Revised: ---/---/---			Factor: 000 Code: 0.000 Scale: 1/8"			Part Numbers: --- Drawing Number: --- Revision Level: ---		
Fin-w 0.000 Sp-w 0.000 C 0.000			Draw Class: --- Part Class: --- Prod. Category: --- Series/Model: --- Form: --- Sheet: ---											

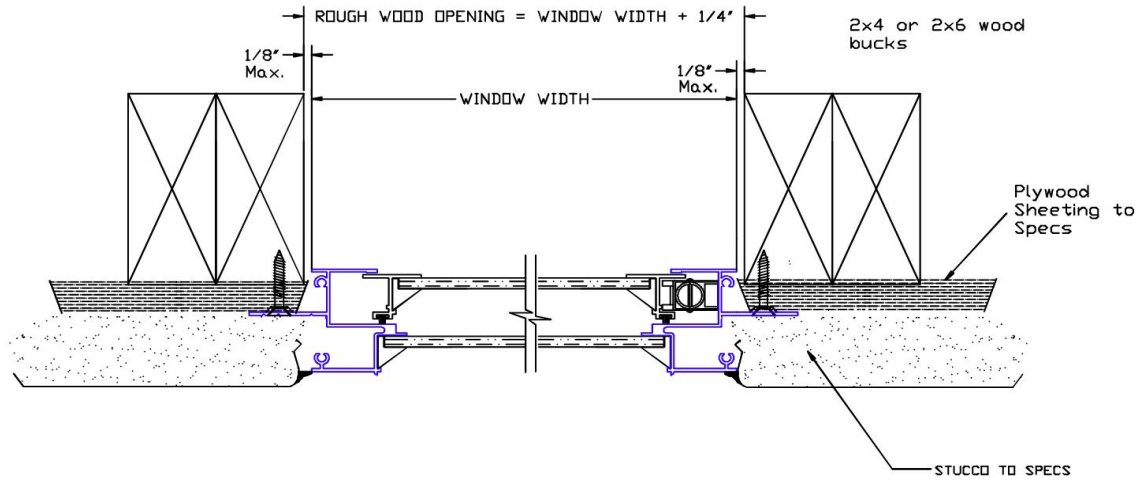
LAWSON

INDUSTRIES, INC.

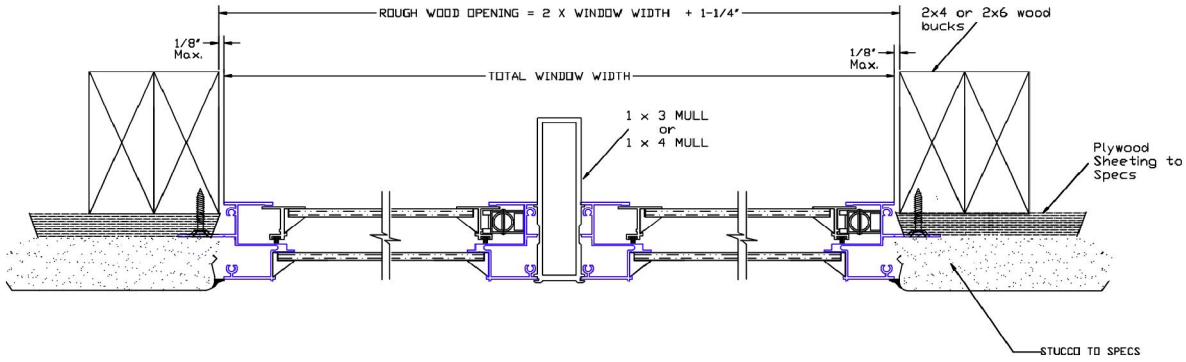
MANUFACTURER OF QUALITY ALUMINUM WINDOWS AND GLASS DOORS

WOOD OPENINGS FOR SINGLE HUNG FIN WINDOWS

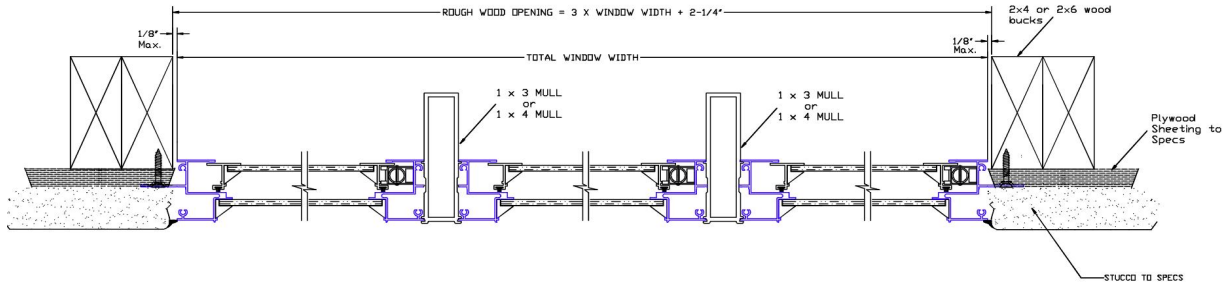
8501 N.W. 90 ST.
MEDLEY, FLORIDA 33166
PH No. (305) 888-8880



SH CODE SIZE	FRAME SIZE		ROUGH WOOD OPENING	
	WIDTH	HEIGHT	WIDTH	HEIGHT
12	18.125	25.000	18.375	25.250
13	18.125	37.375	18.375	37.625
14	18.125	49.625	18.375	49.875
145	18.125	57.000	18.375	57.250
15	18.125	62.000	18.375	62.250
16	18.125	73.250	18.375	73.500
H32	25.500	25.000	25.750	25.250
H33	25.500	37.375	25.750	37.625
H34	25.500	49.625	25.750	49.875
H345	25.500	57.000	25.750	57.250
H35	25.500	62.000	25.750	62.250
H36	25.500	73.250	25.750	73.500
22	36.000	25.000	36.250	25.250
23	36.000	37.375	36.250	37.625
24	36.000	49.625	36.250	49.875
245	36.000	57.000	36.250	57.250
25	36.000	62.000	36.250	62.250
26	36.000	73.250	36.250	73.500
32	52.125	25.000	52.375	25.250
33	52.125	37.375	52.375	37.625
34	52.125	49.625	52.375	49.875
345	52.125	57.000	52.375	57.250
35	52.125	62.000	52.375	62.250
36	52.125	73.250	52.375	73.500
2020	23.000	23.000	23.250	23.250
2620	29.000	23.000	29.250	23.250
3020	35.000	23.000	35.250	23.250
3620	41.000	23.000	41.250	23.250
4020	47.000	23.000	47.250	23.250
2030	23.000	35.000	23.250	35.250
2630	29.000	35.000	29.250	35.250
3030	35.000	35.000	35.250	35.250
3630	41.000	35.000	41.250	35.250
4030	47.000	35.000	47.250	35.250
2040	23.000	47.000	23.250	47.250
2640	29.000	47.000	29.250	47.250
3040	35.000	47.000	35.250	47.250
3640	41.000	47.000	41.250	47.250
4040	47.000	47.000	47.250	47.250
2050	23.000	59.000	23.250	59.250
2650	29.000	59.000	29.250	59.250
3050	35.000	59.000	35.250	59.250
3650	41.000	59.000	41.250	59.250
4050	47.000	59.000	47.250	59.250
2060	23.000	71.000	23.250	71.250
2660	29.000	71.000	29.250	71.250
3060	35.000	71.000	35.250	71.250
3660	41.000	71.000	41.250	71.250
4060	47.000	71.000	47.250	71.250



SH CODE SIZE	FRAME SIZE		ROUGH WOOD OPENING	
	WIDTH	HEIGHT	WIDTH	HEIGHT
12	18.125	25.000	37.500	25.500
13	18.125	37.375	37.500	37.875
14	18.125	49.625	37.500	50.125
145	18.125	57.000	37.500	57.500
15	18.125	62.000	37.500	62.500
16	18.125	73.250	37.500	73.750
H32	25.500	25.000	52.250	25.500
H33	25.500	37.375	52.250	37.875
H34	25.500	49.625	52.250	50.125
H345	25.500	57.000	52.250	57.500
H35	25.500	62.000	52.250	62.500
H36	25.500	73.250	52.250	73.750
22	36.000	25.000	73.250	25.500
23	36.000	37.375	73.250	37.875
24	36.000	49.625	73.250	50.125
245	36.000	57.000	73.250	57.500
25	36.000	62.000	73.250	62.500
26	36.000	73.250	73.250	73.750
32	52.125	25.000	105.500	25.500
33	52.125	37.375	105.500	37.875
34	52.125	49.625	105.500	50.125
345	52.125	57.000	105.500	57.500
35	52.125	62.000	105.500	62.500
36	52.125	73.250	105.500	73.750
2020	23.000	23.000	47.250	23.500
2620	29.000	23.000	59.250	23.500
3020	35.000	23.000	71.250	23.500
3620	41.000	23.000	83.250	23.500
4020	47.000	23.000	95.250	23.500
2030	23.000	35.000	47.250	35.500
2630	29.000	35.000	59.250	35.500
3030	35.000	35.000	71.250	35.500
3630	41.000	35.000	83.250	35.500
4030	47.000	35.000	95.250	35.500
2040	23.000	47.000	47.250	47.500
2640	29.000	47.000	59.250	47.500
3040	35.000	47.000	71.250	47.500
3640	41.000	47.000	83.250	47.500
4040	47.000	47.000	95.250	47.500
2050	23.000	59.000	47.250	59.500
2650	29.000	59.000	59.250	59.500
3050	35.000	59.000	71.250	59.500
3650	41.000	59.000	83.250	59.500
4050	47.000	59.000	95.250	59.500
2060	23.000	71.000	47.250	71.500
2660	29.000	71.000	59.250	71.500
3060	35.000	71.000	71.250	71.500
3660	41.000	71.000	83.250	71.500
4060	47.000	71.000	95.250	71.500



SH CODE SIZE	FRAME SIZE		ROUGH WOOD OPENING	
	WIDTH	HEIGHT	WIDTH	HEIGHT
12	18.125	25.000	56.625	25.500
13	18.125	37.375	56.625	37.875
14	18.125	49.625	56.625	50.125
145	18.125	57.000	56.625	57.500
15	18.125	62.000	56.625	62.500
16	18.125	73.250	56.625	73.750
H32	25.500	25.000	78.750	25.500
H33	25.500	37.375	78.750	37.875
H34	25.500	49.625	78.750	50.125
H345	25.500	57.000	78.750	57.500
H35	25.500	62.000	78.750	62.500
H36	25.500	73.250	78.750	73.750
22	36.000	25.000	110.250	25.500
23	36.000	37.375	110.250	37.875
24	36.000	49.625	110.250	50.125
245	36.000	57.000	110.250	57.500
25	36.000	62.000	110.250	62.500
26	36.000	73.250	110.250	73.750
32	52.125	25.000	158.625	25.500
33	52.125	37.375	158.625	37.875
34	52.125	49.625	158.625	50.125
345	52.125	57.000	158.625	57.500
35	52.125	62.000	158.625	62.500
36	52.125	73.250	161.625	73.750
2020	23.000	23.000	71.250	23.500
2620	29.000	23.000	89.250	23.500
3020	35.000	23.000	107.250	23.500
3620	41.000	23.000	125.250	23.500
4020	47.000	23.000	143.250	23.500
2030	23.000	35.000	71.250	35.500
2630	29.000	35.000	89.250	35.500
3030	35.000	35.000	107.250	35.500
3630	41.000	35.000	125.250	35.500
4030	47.000	35.000	143.250	35.500
2040	23.000	47.000	71.250	47.500
2640	29.000	47.000	89.250	47.500
3040	35.000	47.000	107.250	47.500
3640	41.000	47.000	125.250	47.500
4040	47.000	47.000	143.250	47.500
2050	23.000	59.000	71.250	59.500
2650	29.000	59.000	89.250	59.500
3050	35.000	59.000	107.250	59.500
3650	41.000	59.000	125.250	59.500
4050	47.000	59.000	143.250	59.500
2060	23.000	71.000	71.250	71.500
2660	29.000	71.000	89.250	71.500
3060	35.000	71.000	107.250	71.500
3660	41.000	71.000	125.250	71.500
4060	47.000	71.000	143.250	71.500