



DEPARTMENT OF REGULATORY AND ECONOMIC RESOURCES (RER)  
BOARD AND CODE ADMINISTRATION DIVISION

MIAMI-DADE COUNTY  
PRODUCT CONTROL SECTION  
11805 SW 26 Street, Room 208  
T (786) 315-2590 F (786) 315-2599

[www.miamidade.gov/economy](http://www.miamidade.gov/economy)

**NOTICE OF ACCEPTANCE (NOA)**

Lawson Industries, Inc.  
8501 NW 90 Street  
Medley, FL 33166

**SCOPE:**

This NOA is being issued under the applicable rules and regulations governing the use of construction materials. The documentation submitted has been reviewed and accepted by Miami-Dade County RER-Product Control Section to be used in Miami-Dade County and other areas where allowed by the Authority Having Jurisdiction (AHJ).

This NOA shall not be valid after the expiration date stated below. The Miami-Dade County Product Control Section (In Miami-Dade County) and/ or the AHJ (in areas other than Miami-Dade County) reserve the right to have this product or material tested for quality assurance purposes. If this product or material fails to perform in the accepted manner, the manufacturer will incur the expense of such testing and the AHJ may immediately revoke, modify, or suspend the use of such product or material within their jurisdiction. RER reserves the right to revoke this acceptance, if it is determined by Miami-Dade County Product Control Section that this product or material fails to meet the requirements of the applicable building code.

This product is approved as described herein, and has been designed to comply with the Florida Building Code, including the High Velocity Hurricane Zone.

**DESCRIPTION:** Series "SH-7800 (Fin Frame)" Aluminum Single Hung Window - L.M.I.

**APPROVAL DOCUMENT:** Drawing No. L7800-0801, titled "Series-7800 Single Hung Fin Frame Impact Window", sheets 01 through 04 of 04, dated 03/31/08, with revision "C" dated 08/11/14, prepared by manufacturer, and signed and sealed by Thomas J. Sotos, P. E., bearing the Miami-Dade County Product Control Revision stamp with the Notice of Acceptance number and expiration date by the Miami-Dade County Product Control Section.

**MISSILE IMPACT RATING:** Large and Small Missile Impact Resistant

**LABELING:** Each unit shall bear a permanent label with the manufacturer's name or logo, city, state, series, and following statement: "Miami-Dade County Product Control Approved", unless otherwise noted herein.

**RENEWAL** of this NOA shall be considered after a renewal application has been filed and there has been no change in the applicable building code negatively affecting the performance of this product.

**TERMINATION** of this NOA will occur after the expiration date or if there has been a revision or change in the materials, use, and/ or manufacture of the product or process. Misuse of this NOA as an endorsement of any product, for sales, advertising or any other purposes shall automatically terminate this NOA. Failure to comply with any section of this NOA shall be cause for termination and removal of NOA.

**ADVERTISEMENT:** The NOA number preceded by the words Miami-Dade County, Florida, and followed by the expiration date may be displayed in advertising literature. If any portion of the NOA is displayed, then it shall be done in its entirety.

**INSPECTION:** A copy of this entire NOA shall be provided to the user by the manufacturer or its distributors and shall be available for inspection at the job site at the request of the Building Official.

This NOA revises NOA No. 13-0909.14 and consists of this page 1 and evidence pages E-1, E-2 and E-3, as well as approval document mentioned above.

The submitted documentation was reviewed by Jaime D. Gascon, P. E.



*J. Gascon*  
*10/20/14*

NOA No. 14-0908.09  
Expiration Date: November 06, 2018  
Approval Date: November 06, 2014  
Page 1

NOTICE OF ACCEPTANCE: EVIDENCE SUBMITTED

**A. DRAWINGS**

1. Manufacturer's die drawings and sections.  
*(Submitted under previous NOA No. 08-0527.18)*
2. Drawing No L7800-0801, titled "Series-7800 Single Hung Fin Frame Impact Window", sheets 01 through 04 of 04, dated 03/31/08 with revision dated "C" dated 08/11/14, prepared by manufacturer, and signed and sealed by Thomas J. Sotos, P. E.

**B. TESTS**

1. Test reports on: 1) Large Missile Impact Test per FBC, TAS 201-94  
2) Cyclic Wind Pressure Loading per FBC, TAS 203-94  
along with marked-up drawings and installation diagram of an aluminum single hung fin window, prepared by Hurricane Engineering & Testing, Inc., Test Report No. HETI-08-2083, dated 03/14/08, signed and sealed by Candido F. Font, P. E.  
*(Submitted under previous NOA No. 08-0527.18)*
2. Test reports on: 1) Large Missile Impact Test per FBC, TAS 201-94  
2) Cyclic Wind Pressure Loading per FBC, TAS 203-94  
along with marked-up drawings and installation diagram of an aluminum single hung fin window, prepared by Hurricane Engineering & Testing, Inc., Test Report No. HETI-08-2084, dated 03/14/08, signed and sealed by Candido F. Font, P. E.  
*(Submitted under NOA No. 08-0527.18)*
3. Test reports on: 1) Large Missile Impact Test per FBC, TAS 201-94  
2) Cyclic Wind Pressure Loading per FBC, TAS 203-94  
along with marked-up drawings and installation diagram of an aluminum single hung fin window, prepared by Hurricane Engineering & Testing, Inc., Test Report No. HETI-08-2015, dated 01/15/08, signed and sealed by Candido F. Font, P. E.  
*(Submitted under NOA No. 08-0527.18)*
4. Test reports on: 1) Large Missile Impact Test per FBC, TAS 201-94  
2) Cyclic Wind Pressure Loading per FBC, TAS 203-94  
along with marked-up drawings and installation diagram of an aluminum single hung fin window, prepared by Hurricane Engineering & Testing, Inc., Test Report No. HETI-08-2016, dated 01/15/08, signed and sealed by Candido F. Font, P. E.  
*(Submitted under NOA No. 08-0527.18)*
5. Test reports on: 1) Air Infiltration Test, per FBC, TAS 202-94  
2) Uniform Static Air Pressure Test, Loading per FBC TAS 202-94  
3) Water Resistance Test, per FBC, TAS 202-94  
4) Forced Entry Test, per FBC 2411 3.2.1, TAS 202-94  
along with marked-up drawings and installation diagram of an aluminum single hung fin window, prepared by Hurricane Engineering & Testing, Inc., Test Report No. HETI-07-4324, dated 01/15/08, signed and sealed by Candido F. Font, P. E.  
*(Submitted under NOA No. 08-0527.18)*



Jaime D. Gascon, P. E.

Product Control Section Supervisor

NOA No. 14-0908.09

Expiration Date: November 06, 2018

Approval Date: November 06, 2014

Lawson Industries, Inc.

NOTICE OF ACCEPTANCE: EVIDENCE SUBMITTED

**B. TESTS (CONTINUED)**

6. Test reports on: 1) Large Missile Impact Test per FBC, TAS 201-94  
2) Cyclic Wind Pressure Loading per FBC, TAS 203-94  
along with marked-up drawings and installation diagram of an aluminum single hung fin window, prepared by Hurricane Engineering & Testing, Inc., Test Report No. HETI-07-4325, dated 01/15/08, signed and sealed by Candido F. Font, P. E.  
*(Submitted under NOA No. 08-0527.18)*

**C. CALCULATIONS:**

1. Anchor verification calculations and structural analysis, complying with FBC, prepared by Lawson Industries, Inc., dated 05/16/08 and 07/07/08, signed and sealed by Thomas J. Sotos, P. E.  
*(Submitted under previous NOA No.12-0127.13)*
2. Glazing complies with ASTM E1300-04/ 09

**D. QUALITY ASSURANCE**

1. Miami-Dade Department of Regulatory and Economic Resources (RER)

**E. MATERIAL CERTIFICATIONS**

1. Notice of Acceptance No. 13-0129.27 issued to E.I. DuPont DeNemours & Co., Inc. for their "DuPont Butacite® PVB Interlayer" dated 04/11/13, expiring on 12/11/16.
2. Notice of Acceptance No. 14-0423.17 issued to Eastman Chemical Company (MA) for their "Saflex Clear and Color Glass Interlayers" dated 06/19/14, expiring on 05/21/16.

**F. STATEMENTS**

1. Statement letter of conformance to and complying with FBC 5<sup>th</sup> Edition (2014), issued by manufacturer, dated 09/02/14, signed and sealed by Thomas J. Sotos, P. E.
2. Department of State Certification of LAWSON INDUSTRIES, INC. as a for profit corporation, active and organized under the laws of the State of Florida, dated 04/11/14 and filed at the Secretary of State.
3. Statement letter of conformance, complying with FBC-2010, dated 01/25/12, signed and sealed by Thomas J. Sotos, P. E.  
*(Submitted under previous NOA No.12-0127.13)*
4. Statement letter of no financial interest, dated 02/27/09, signed and sealed by Thomas J. Sotos, P. E.  
*(Submitted under previous NOA No.12-0127.13)*



Jaime D. Gascon, P. E.

Product Control Section Supervisor

NOA No. 14-0908.09

Expiration Date: November 06, 2018

Approval Date: November 06, 2014

Lawson Industries, Inc.

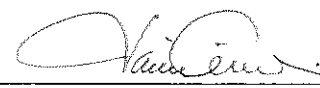
NOTICE OF ACCEPTANCE: EVIDENCE SUBMITTED

F. STATEMENTS (CONTINUED)

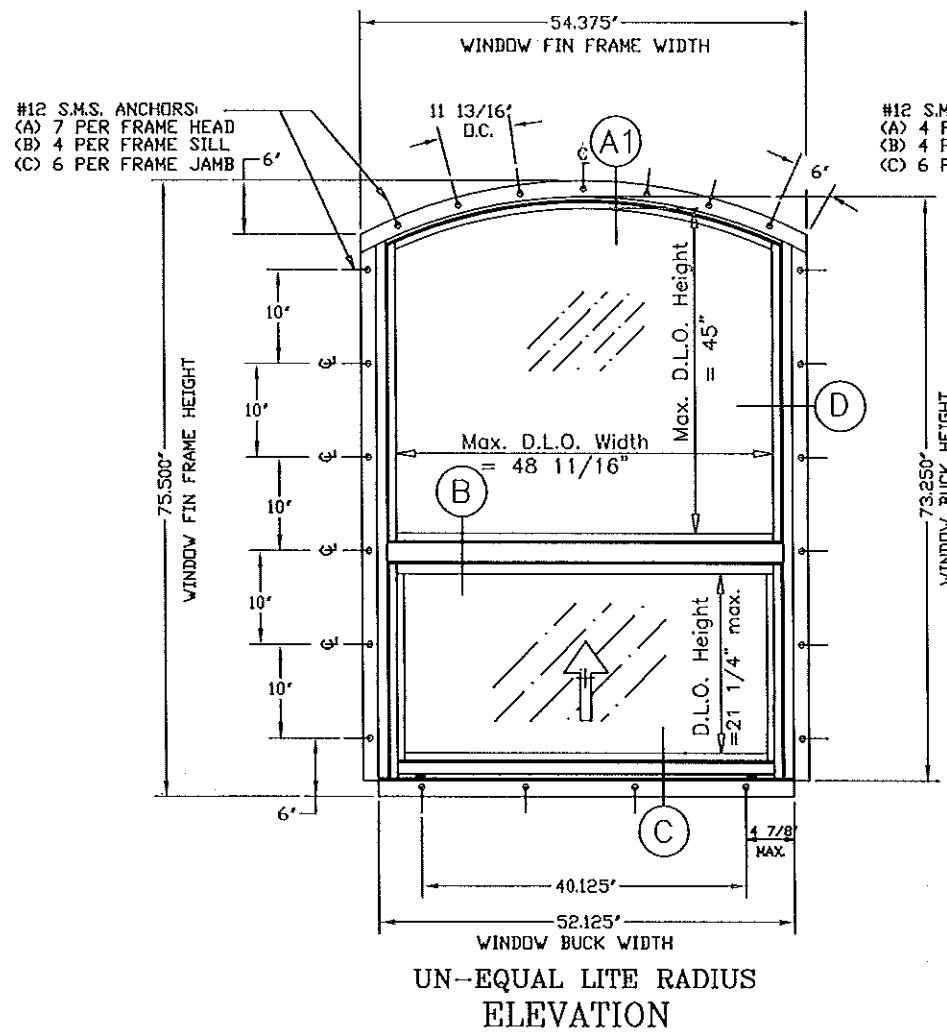
5. Notification of Successor Engineer for manufacturer's NOA document per **Section 61G15-27.001** of the **Florida Administrative Code**, notifying original engineer that the successor engineer is assuming full professional and legal responsibility for all engineering documents pertaining to the NOA No. 08-0527.18, dated 02/27/09, signed and sealed by Thomas J. Sotos, P. E.  
*(Submitted under previous NOA No. 12-0127.13)*
6. Laboratory compliance letter for Test Reports No. **HETI-08-2083, HETI-08-2084, HETI-08-2015, HETI-08-2016, HETI-07-4324** and **HETI-07-4325**, all issued by Hurricane Engineering & Testing, Inc., dated 01/15/08 through 03/14/08, signed and sealed by Candido F. Font, P. E.  
*(Submitted under previous NOA No. 08-0527.18)*
7. Proposal No. **07-2527** issued by the Product Control, dated 03/29/07, signed by Manuel Perez, P. E.  
*(Submitted under previous NOA No. 08-0527.18)*

G. OTHERS

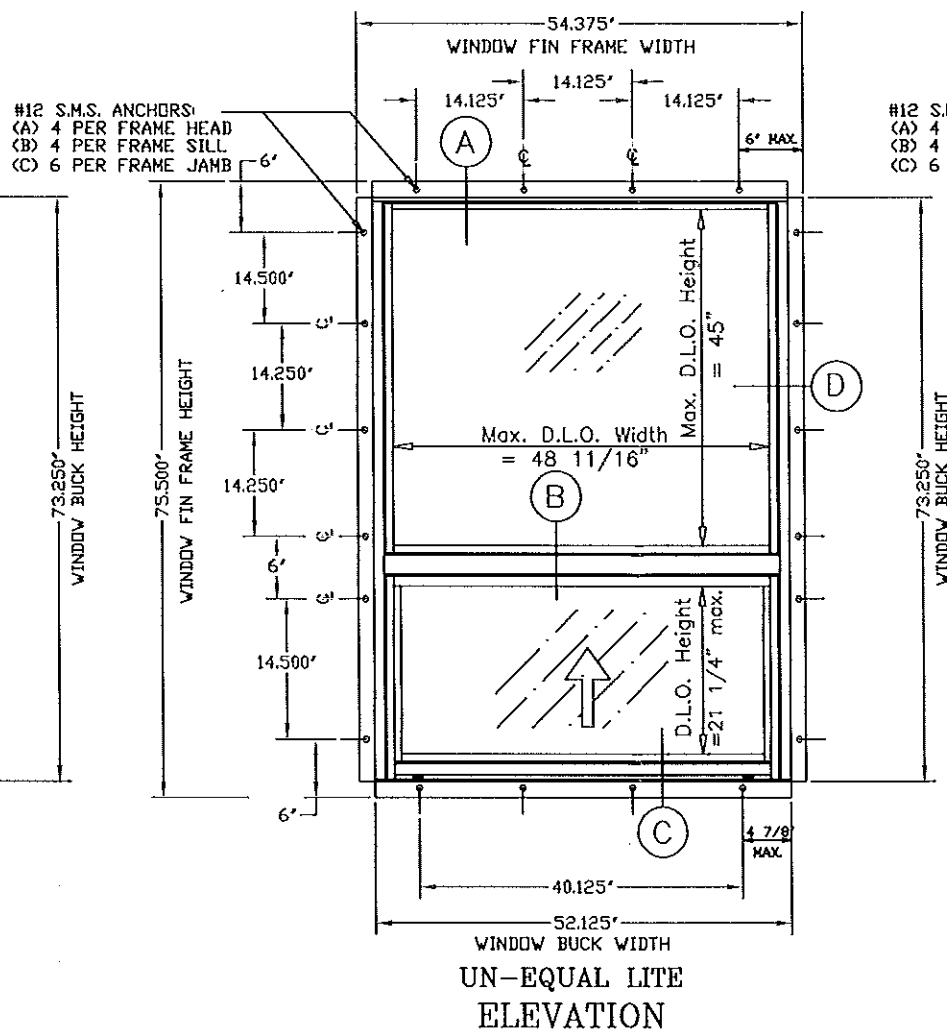
1. Notice of Acceptance No. **13-0909.14**, issued to Lawson Industries, Inc. for their Series "**SH-7800 (Fin Frame) Aluminum Single Hung Window - L.M.I.**", approved on 10/10/13 and expiring on 11/06/18.



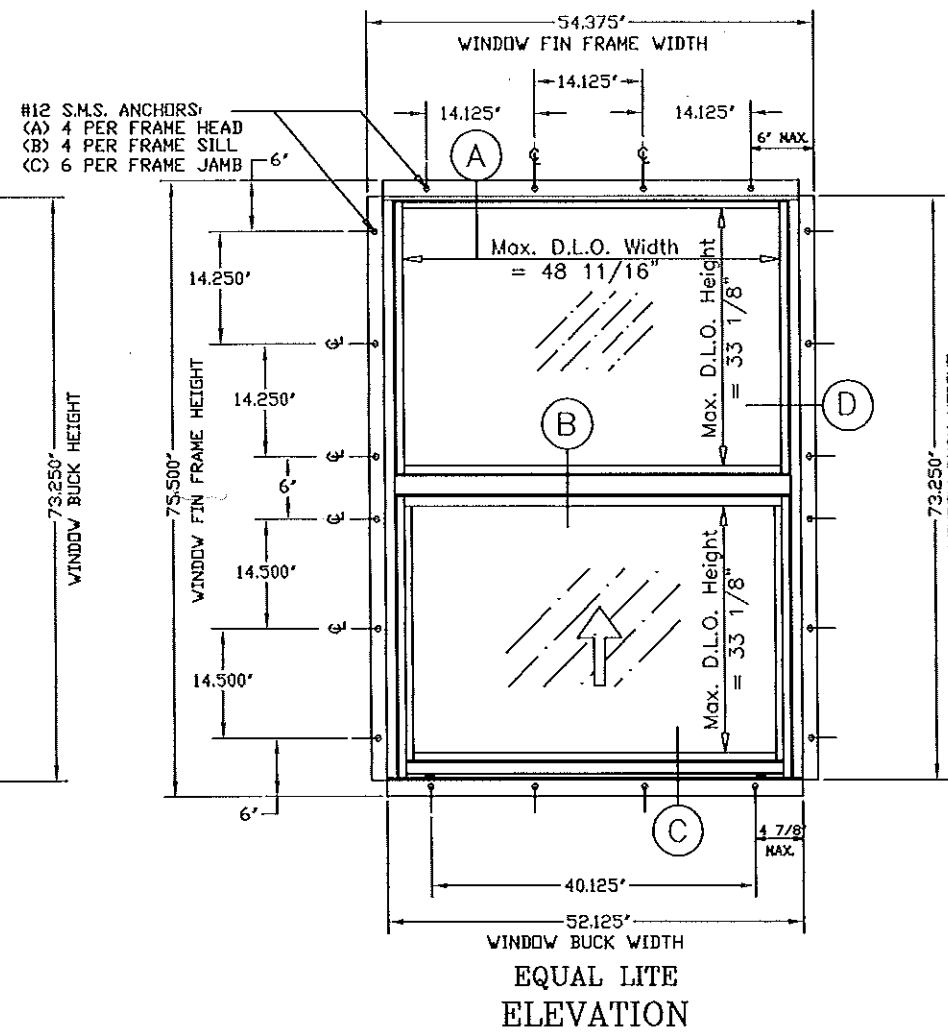
Jaime D. Gascon, P. E.  
Product Control Section Supervisor  
NOA No. 14-0908.09  
Expiration Date: November 06, 2018  
Approval Date: November 06, 2014



UN-EQUAL LITE RADIUS ELEVATION



UN-EQUAL LITE ELEVATION

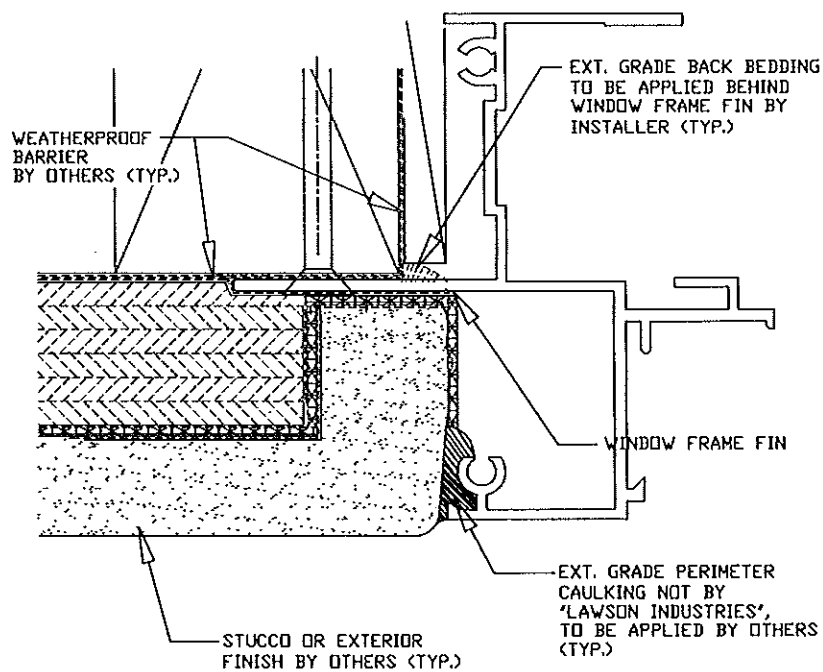


EQUAL LITE ELEVATION

**SERIES-7800 SINGLE HUNG IMPACT WINDOW - FIN FRAME**

**General Notes:**

- 1.) THIS WINDOW SYSTEM IS DESIGNED AND TESTED TO COMPLY WITH THE REQUIREMENTS OF THE 2014 FLORIDA BUILDING CODE INCLUDING HIGH VELOCITY HURRICANE ZONE (HVHZ) AND ASTM 1300-98. THIS PRODUCT IS IMPACT RESISTANT.
- 2.) 2 X WOOD BUCKS SHALL BE INSTALLED AND ANCHORED SO THAT THE BUILDING RESISTS THE SUPERIMPOSED LOADS IN ACCORDANCE WITH REQUIREMENTS OF 2014 F.B.C. & TO BE REVIEWED BY BUILDING OFFICIAL.
- 3.) ANCHORS SHOWN ABOVE ARE AS PER TEST UNITS. ANCHORS ON ALL WINDOW SIZES ARE NOT TO EXCEED THESE MAXIMUM SPACINGS ON CENTER (O.C.).
- 4.) ANCHOR CONDITIONS NOT DESCRIBED IN THESE DRAWING'S ARE TO BE ENGINEERED ON A SITE SPECIFIC BASIS, UNDER SEPARATE APPROVAL AND TO BE REVIEWED BY BUILDING OFFICIAL.
- 5.) WINDOWS ARE QUALIFIED FOR USE WITH SINGLE GLAZE LAMINATED GLASS TYPES TABULATED HEREIN (SEE SHEET #3).
- 6.) WINDOWS ARE QUALIFIED FOR USE WITH DOUBLE GLAZE LAMINATED INSULATED GLASS TYPES TABULATED HEREIN (SEE SHEET #3).
- 7.) SEE SHEET 3 FOR LOCK DETAILS & OPTIONS.
- 8.) SEE SHEET 3 FOR GLAZING DETAILS & OPTIONS AND DESIGN PRESSURES.
- 9.) WOOD OPENING SHALL BE PROTECTED WITH AN APPROVED MOISTURE RESISTANT WEATHERBARRIER (BY OTHERS), PRIOR TO WINDOW INSTALLATION. (SEE SHEET #1 FOR DETAIL)
- 10.) MATERIALS: INCLUDING BUT NOT LIMITED TO STEEL SCREWS, THAT COME INTO CONTACT WITH OTHER DISSIMILAR MATERIALS SHALL MEET THE REQUIREMENTS OF 2014 FLORIDA BUILDING CODE SECTION 2003.8.4 AND/OR SECTION 2326.2
- 11.) EXT. & INT. FALSE COLONIAL MUNTINS ARE OPTIONAL & AND ARE APPLIED W/ SILICONE



**WINDOW INSTALLATION DETAIL**

**WINDOW INSTALLATION NOTES:**

1. THE WINDOW OPENING MUST BE PROTECTED WITH A CODE APPROVED FELT OR MOISTURE/WEATHER BARRIER, APPROX. 12' WIDE THROUGHOUT ENTIRE PERIMETER OF THE WINDOW MOUNTING FIN. (NOT BY LAWSON INDUSTRIES)
2. THE WINDOW FRAME FIN TO BE BACK-BEDDED W/ AN EXT. GRADE CAULK THROUGHOUT THE ENTIRE PERIMETER OF FIN BY WINDOW INSTALLER (TYP.)
3. THE EXPOSED EXT. PERIMETER OF THE WINDOW FRAME TO BE SEALED W/ AN APPROVED EXTERIOR GRADE CAULK BY OTHERS (TYP.)

PRODUCT REVISED as complying with the Florida Building Code Acceptance No. 14-0908.09 Expiration Date 11/26/2018  
By: *[Signature]*  
Miami Dade Product Control!

**LAWSON INDUSTRIES, INC.**  
 8501 N.W. 90 ST.  
 MEDLEY, FLORIDA 33166  
 PH No. (305) 696-8660

MANUFACTURER OF QUALITY ALUMINUM WINDOWS AND GLASS DOORS

SERIES-7800 SINGLE HUNG FIN FRAME IMPACT WINDOW

APPROVED ELEVATIONS, CONFIGURATIONS AND NOTES

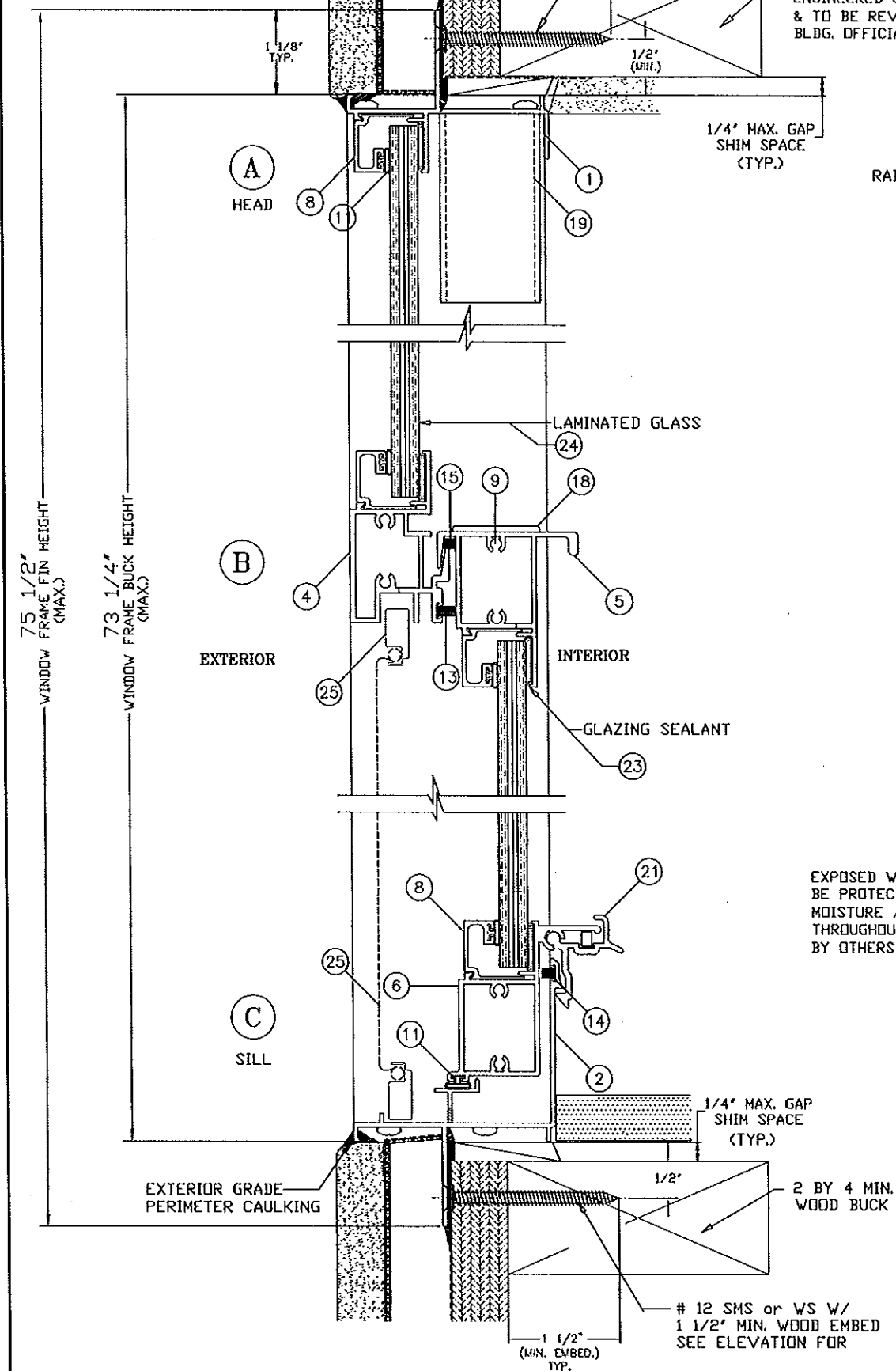
Product Reference Number: L7800-0801  
 Drawing Number: 17800-0801  
 Sheet: 1 OF 4  
 Revision #: 1

Revision Notes	B. Revised to Comply w/ 2010 FBC	Date Drawn: 08-31-08	Scale:
	C. Revised to Comply w/ 2014 FBC	Date Revised: 08/11/14	
Drawn By:	N. ERAZO		
Revised By:	N. ERAZO		
Revision Level:	C		

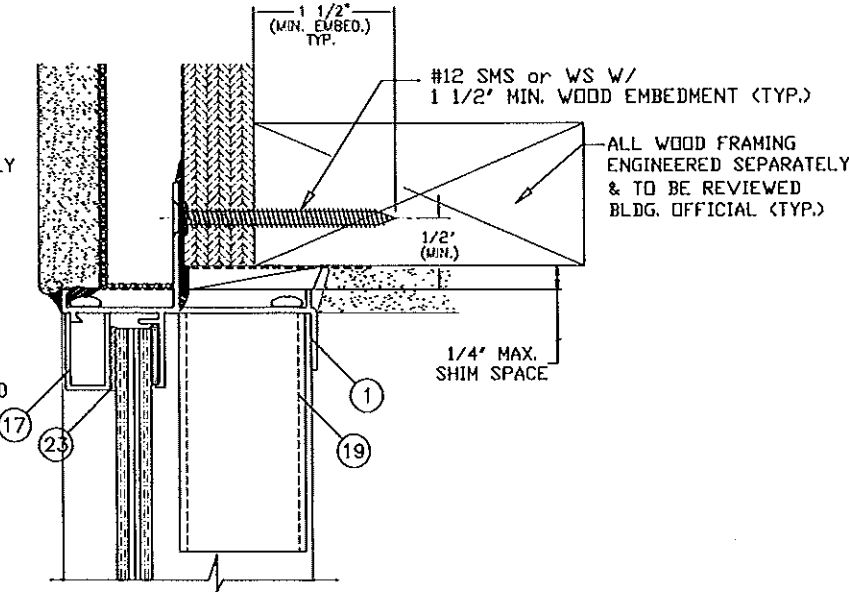
THOMAS J. SOTOS  
 PROFESSIONAL ENGINEER  
 FL LIC. # 55225

DATE: SEP 2 2014

EXPOSED WINDOW FRAME FIN TO BE PROTECTED WITH AN APPROVED MOISTURE / WEATHER BARRIER THROUGHOUT ENTIRE PERIMETER OF FIN BY OTHERS (TYP.)

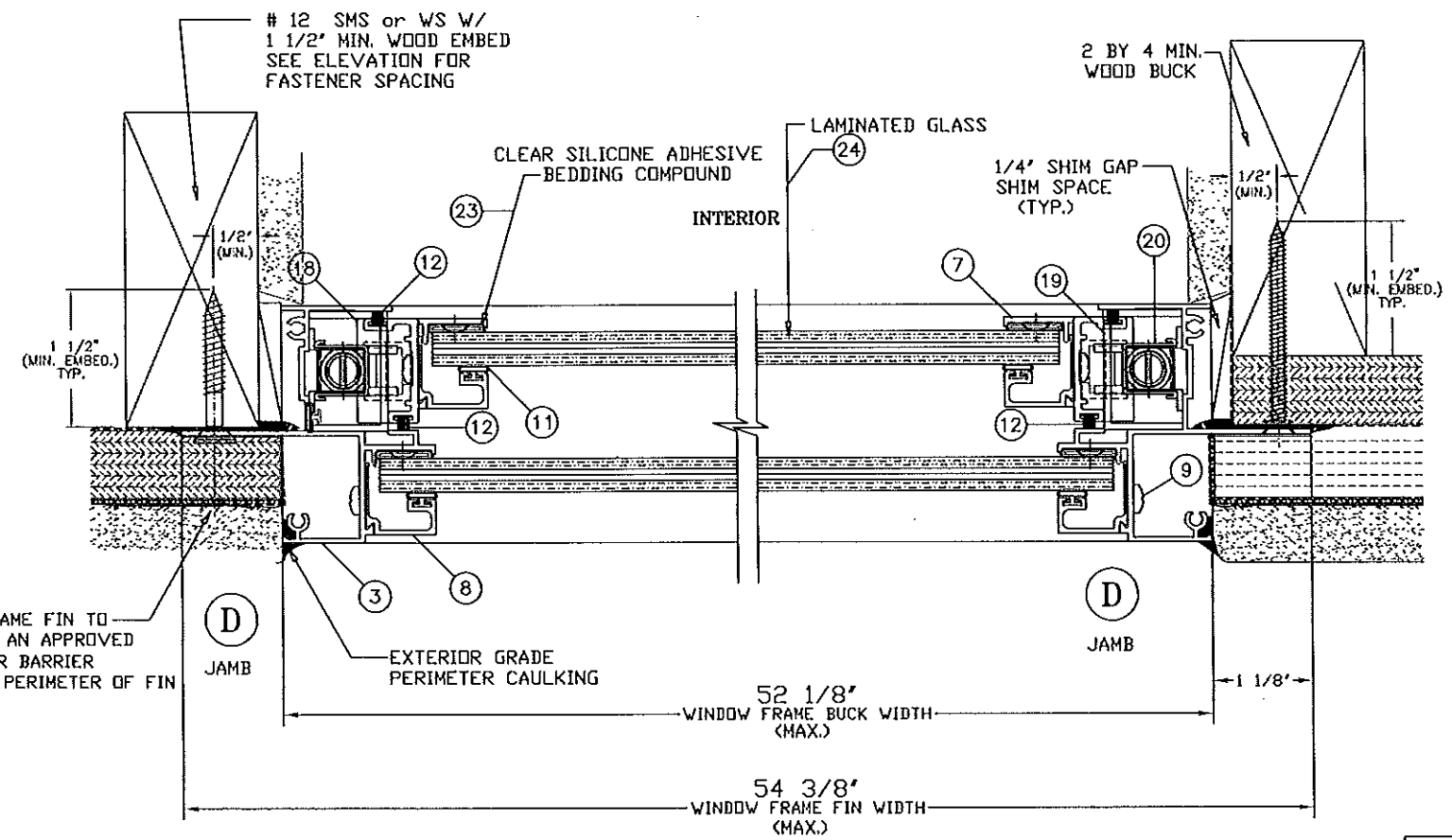


(A1)  
RADIUS HEAD



**NOTE:**  
ALL ANCHORS TO BE #12 SMS OR WD. SCREW WITH A MINIMUM OF 1 1/2\"/>

\* WHEN THE GAP BETWEEN THE WINDOW FRAME AND THE BUCK IS LESS THAN 1/8\", SHIMS ARE NOT REQUIRED.



EXPOSED WINDOW FRAME FIN TO BE PROTECTED WITH AN APPROVED MOISTURE / WEATHER BARRIER THROUGHOUT ENTIRE PERIMETER OF FIN BY OTHERS (TYP.)

PRODUCT REVISED as complying with the Florida Building Code  
 Acceptance No. 14-0908.09  
 Expiration Date 11/06/2018  
 By: [Signature]  
 Miami Dade Product Control

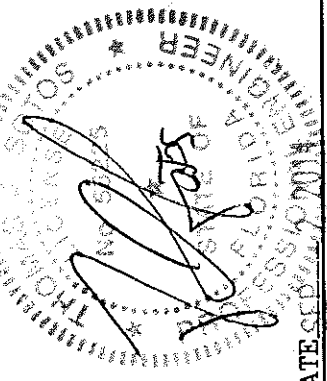
**LAWSON**  
INDUSTRIES, INC.

8501 N.W. 90 ST.  
MEDLEY, FLORIDA 33166  
PH No. (305) 696-8660

MANUFACTURER OF QUALITY ALUMINUM WINDOWS AND GLASS DOORS  
 SERIES-7800 SINGLE HUNG FIN FRAME IMPACT WINDOW  
 WINDOW VERTICAL AND HORIZONTAL CROSS SECTION, DETAILS & NOTES

Revision Notes:	B. Revised to Comply w/ 2010 FBC
	C. Revised to Comply w/ 2014 FBC
Drawn By:	N. ERAZO
Revised By:	N. Erazo
Revision Level:	C
Date Drawn:	03-31-08
Date Revised:	08/11/14
Scale:	

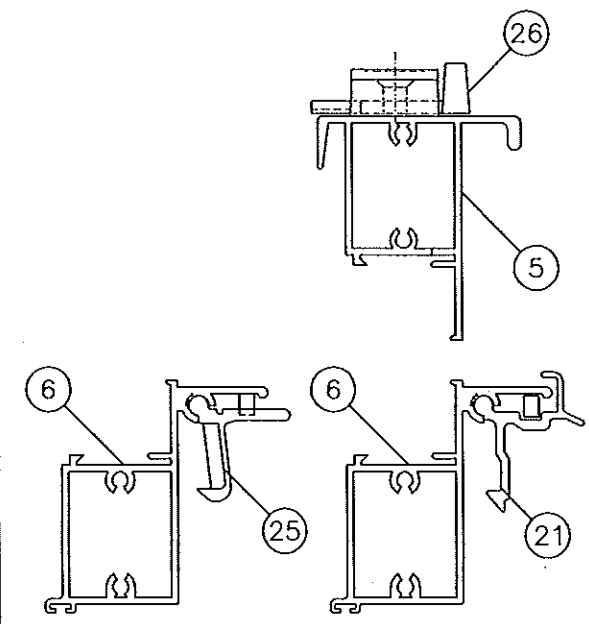
THOMAS J. SOTOS  
PROFESSIONAL ENGINEER  
FL LIC. # 55225



7800 FIN IMPACT SINGLE HUNG WINDOW EQUAL LITE							
CODE SIZE	WINDOW BUCK DIMENSIONS		Glass Type "1"	Glass Type "2"	Glass Type "3"	Glass Type "4"	Glass Type "5"
	Width (in)	Height (in)	P(+/-) (psf)	P(+/-) (psf)	P(+/-) (psf)	P(+/-) (psf)	P(+/-) (psf)
12	18.125	25	60	60	60	46	60
13	18.125	37.375	60	60	60	46	60
14	18.125	49.625	60	60	60	46	60
14-5	18.125	57.125	60	60	60	46	60
15	18.125	62	60	60	60	46	60
16	18.125	73.25	60	60	60	46	60
H32	25.5	25	60	60	60	46	60
H33	25.5	37.375	60	60	60	46	60
H34	25.5	49.625	60	60	60	46	60
H34-5	25.5	57.125	60	60	60	46	60
H35	25.5	62	60	60	60	46	60
H36	25.5	73.25	60	60	60	46	60
22	36	25	60	60	60	46	60
23	36	37.375	60	60	60	46	60
24	36	49.625	60	60	60	46	60
24-5	36	57.125	60	60	60	46	60
25	36	62	60	60	60	46	60
26	36	73.25	60	60	60	46	60
32	52.125	25	60	60	60	46	60
33	52.125	37.375	60	60	60	46	60
34	52.125	49.625	60	60	60	46	60
34-5	52.125	57.125	60	60	60	46	60
35	52.125	62	60	60	60	46	60
36	52.125	73.25	60	60	60	46	60

7800 FIN IMPACT SINGLE HUNG WINDOW VIEW WINDOW							
CODE SIZE	WINDOW BUCK DIMENSIONS		Glass Type "1"	Glass Type "2"	Glass Type "3"	Glass Type "4"	Glass Type "5"
	Width (in)	Height (in)	P(+/-) (psf)	P(+/-) (psf)	P(+/-) (psf)	P(+/-) (psf)	P(+/-) (psf)
14-2	18.125	49.625	60	60	60	46	60
14-3	18.125	49.625	60	60	60	46	60
15-3	18.125	62	60	60	60	46	60
15-4	18.125	62	60	60	60	46	60
16-4	18.125	73.25	60	60	60	46	60
16-45	18.125	73.25	60	60	60	46	60
16-5	18.125	73.25	60	60	60	46	60
H34-2	25.5	49.625	60	60	60	46	60
H34-3	25.5	49.625	60	60	60	46	60
H35-3	25.5	62	60	60	60	46	60
H35-4	25.5	62	60	60	60	46	60
H36-4	25.5	73.25	60	60	60	46	60
H36-45	25.5	73.25	60	60	60	46	60
H36-5	25.5	73.25	60	60	60	46	60
24-2	36	49.625	60	60	60	46	60
24-3	36	49.625	60	60	60	46	60
25-3	36	62	60	60	60	46	60
25-4	36	62	60	60	60	46	60
26-4	36	73.25	60	60	60	46	60
26-45	36	73.25	60	60	60	46	60
26-5	36	73.25	60	60	60	46	60
34-2	52.125	49.625	60	60	60	46	60
34-3	52.125	49.625	60	60	60	46	60
35-3	52.125	62	60	60	60	46	60
35-4	52.125	62	60	60	60	46	60
36-4	52.125	73.25	60	60	60	46	60
36-45	52.125	73.25	60	60	60	46	60
36-5	52.125	73.25	60	60	60	46	60

Note: (\*) WINDOWS WITH GLASS TYPES '4 & 5' INSTALLED ABOVE 30FT. IN THE HVHZ, THE I.G. EXTERIOR LITE SHALL BE TEMPERED.



- LOCK (LATCH AND SWEEP) OPTIONS**
- BOTH EXTRUDED ALUMINUM AND PLASTIC LIFT HANDLE LOCKS ARE QUALIFIED FOR USE ON ALL WINDOWS.
  - BOTH DIE CAST AND NYLON CAM LOCKS ARE QUALIFIED FOR USE ON ALL WINDOWS.
  - ONLY TWO (2) LOCKS ARE REQUIRED PER EACH VENT.

**LAWSON INDUSTRIES, INC.**

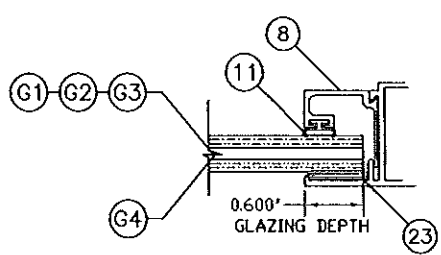
MANUFACTURER OF QUALITY ALUMINUM WINDOWS AND GLASS DOORS

8501 N.W. 90 ST.  
MEDLEY, FLORIDA 33166  
PH No. (305) 696-8660

**SERIES-7800 SINGLE HUNG FIN FRAME IMPACT WINDOW**

DESIGN PRESSURES, GLAZING DETAILS & LOCK OPTIONS

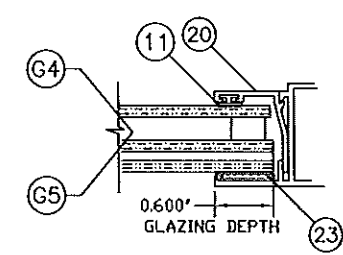
Revision #: 3 OF 4  
Sheet  
Drawing Number: L7800-0801  
Product Reference Number:



ITEM	GLASS DESCRIPTION	DETAIL	LAMINATE DESCRIPTION
1	1/8" HEAT-STRENGTHENED GLASS		PVB - DUPONT or
2	0.090" PLASTIC INTERLAYER		PVB - SOLUTIA or
3	1/8" HEAT-STRENGTHENED GLASS		PVB - SAFLEX

ITEM	GLASS DESCRIPTION	DETAIL	LAMINATE DESCRIPTION
1	1/8" ANNEALED GLASS		PVB - SOLUTIA
2	0.090" PLASTIC INTERLAYER		
3	1/8" ANNEALED GLASS		

- 3) Laminate Types & Options
- Dupont PVB
  - Solutia PVB
  - Saflex PVB by: Eastman Chemical Company



ITEM	GLASS DESCRIPTION	DETAIL	LAMINATE DESCRIPTION
1	1/8" ANNEALED GLASS (M), (MM)		PVB - SOLUTIA
2	0.090" PLASTIC INTERLAYER		
3	1/8" ANNEALED GLASS		
4	1/4" INSULATED AIR SPACE		
5	1/8" ANNEALED GLASS		

ITEM	GLASS DESCRIPTION	DETAIL	LAMINATE DESCRIPTION
1	1/8" HEAT-STRENGTHENED GLASS		PVB - DUPONT
2	0.090" PLASTIC INTERLAYER		
3	1/8" HEAT-STRENGTHENED GLASS		
4	1/4" INSULATED AIR SPACE		
5	1/8" HEAT-STRENGTHENED GLASS		

(\*) 0.125" ANN. & HS. GLASS (OUTBOARD)  
(NOT QUALIFIED FOR SMALL MISSILE IMPACT)

(\*\*) 0.125" TEMPERED GLASS (OUTBOARD)  
\*(QUALIFIED FOR SMALL MISSILE IMPACT)

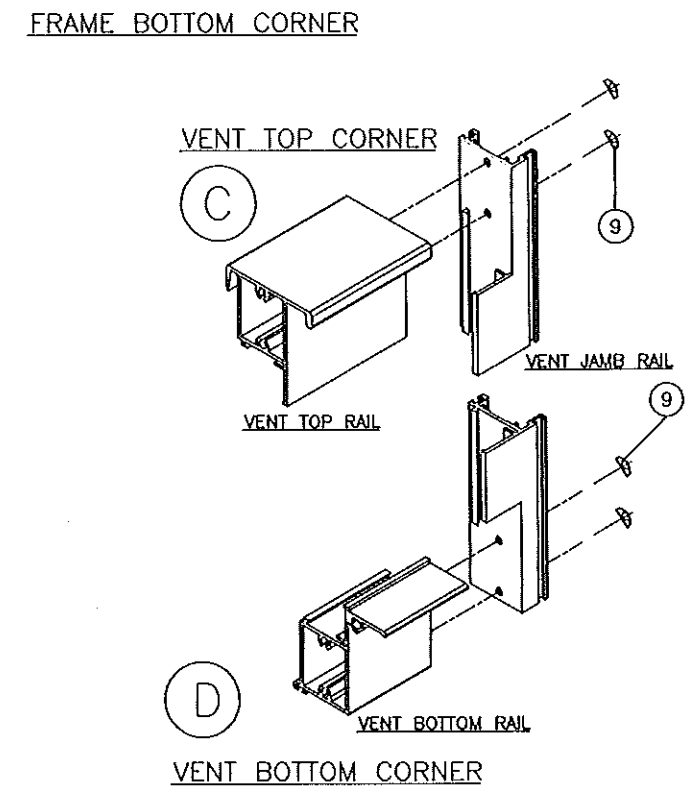
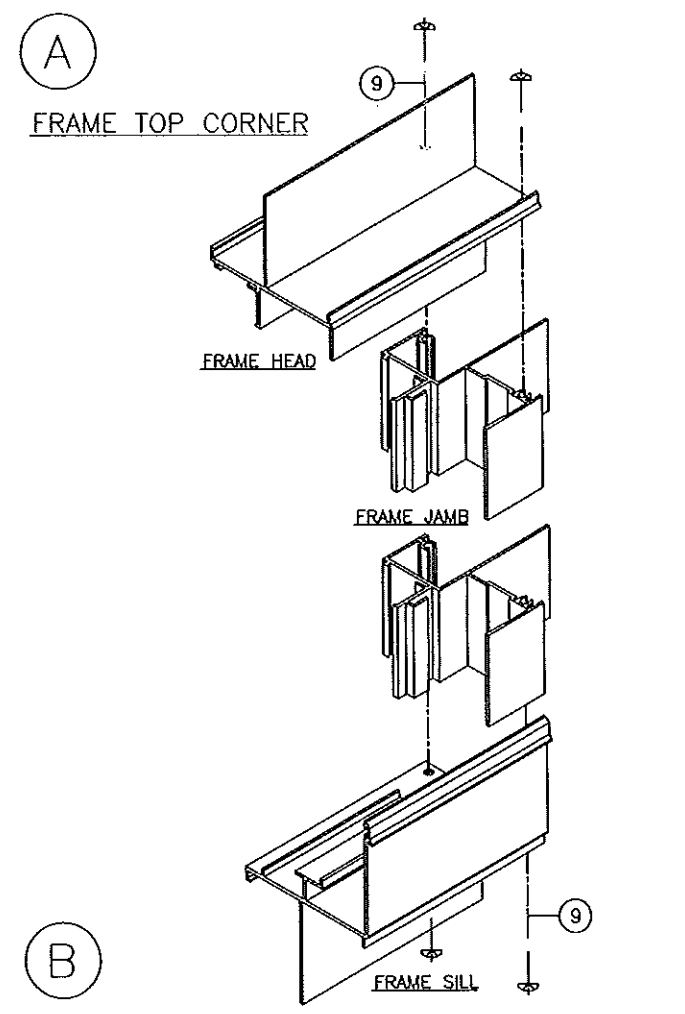
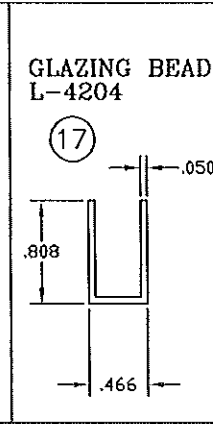
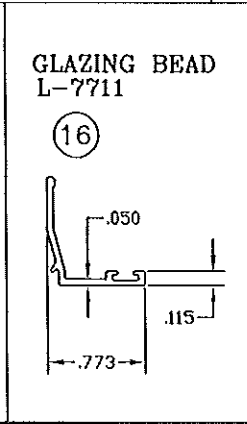
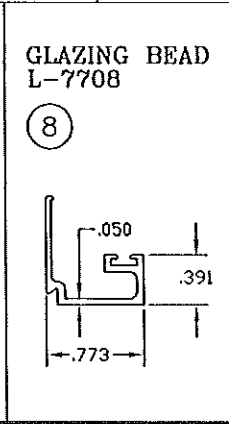
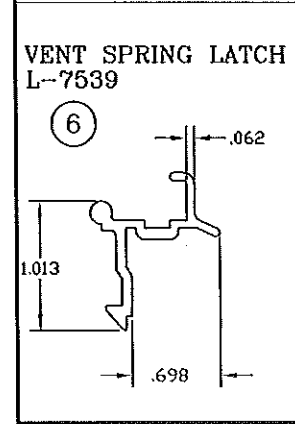
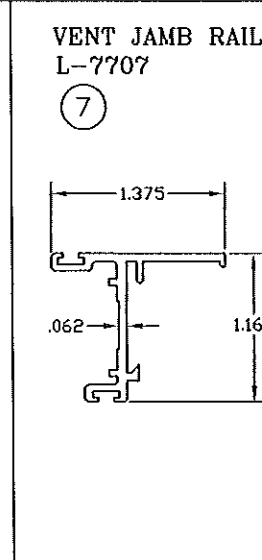
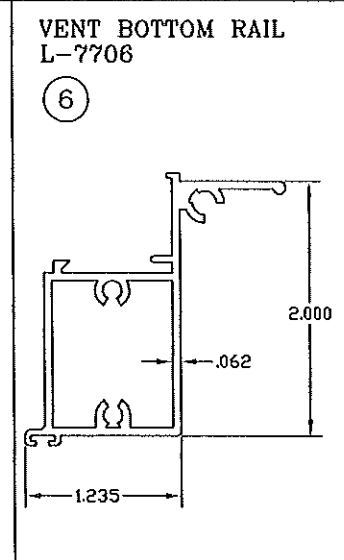
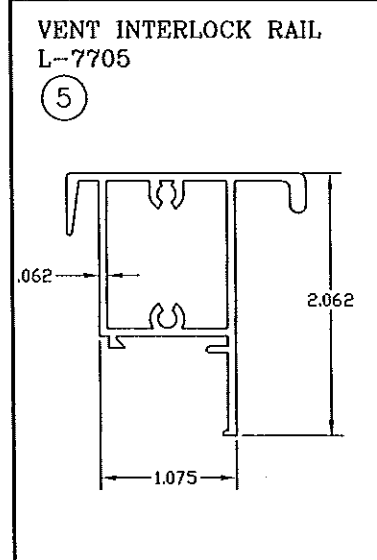
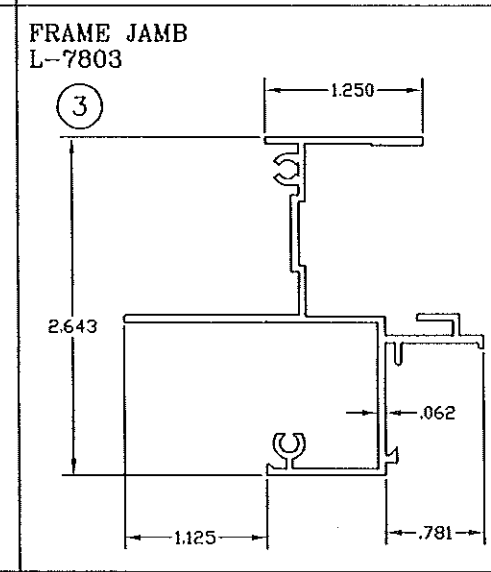
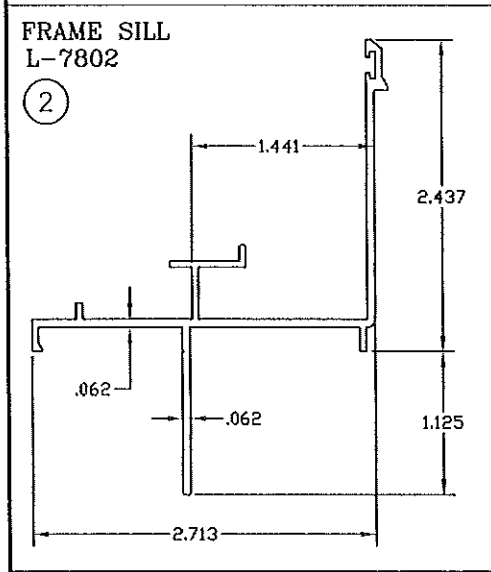
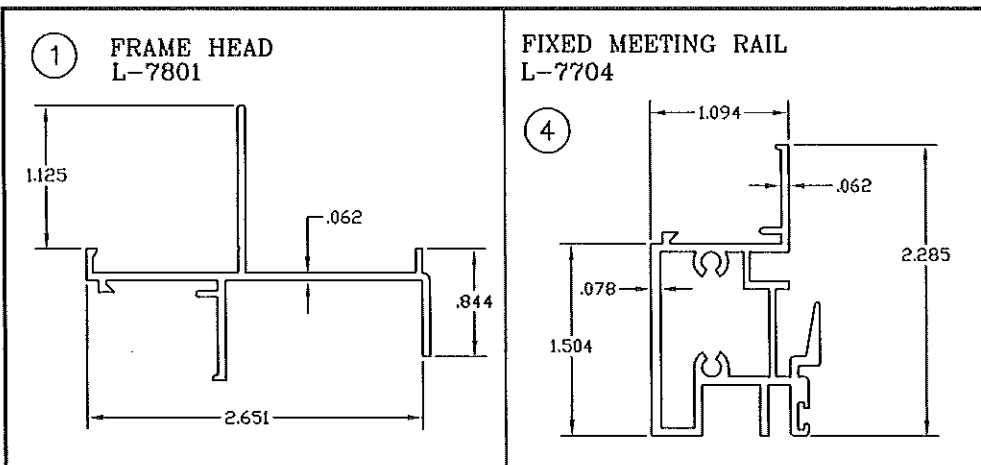
**GLAZING DETAILS, OPTIONS AND DESCRIPTION**

PRODUCT REVISED as complying with the Florida Building Code  
Acceptance No. 14-0908-09  
Expiration Date 21/06/2018  
By: [Signature]  
Miami Dade Product Control

THOMAS J. SOTOS  
PROFESSIONAL ENGINEER  
FL LIC. # 55225

DATE

Revision Notes:	B. Revised to Comply w/ 2010 FBC	Date Drawn:	03-31-08
	C. Revised to Comply w/ 2014 FBC	Date Revised:	08/11/14
Drawn By:	N. ERAZO	Scale:	C
Revised By:	N. ERAZO		



FRAME & SASH CORNER DETAILS

BILL OF MATERIALS				
ITEM #	PART #	REQD.	DESCRIPTION	REMARKS
1	L-7801	1	FIN FRAME HEAD	6063-T6 ALUMINUM
2	L-7802	1	FIN FRAME SILL	6063-T6 ALUMINUM
3	L-7803	2	FIN FRAME JAMB	6063-T6 ALUMINUM
4	L-7704	1	FRAME FIXED MEETING RAIL	6063-T6 ALUMINUM
5	L-7705	1	VENT MEETING (TOP) RAIL	6063-T6 ALUMINUM
6	L-7706	1	VENT BOTTOM (LATCH) RAIL	6063-T6 ALUMINUM
7	L-7707	2	VENT JAMB (SIDE) RAIL	6063-T6 ALUMINUM
8	L-7708	AS REQ'D.	GLAZING BEAD ( 3/8" )	6063-T5 ALUMINUM
9	FS-006	AS REQ'D.	FRAME ASSEMBLY SCREWS	#8 X 3/4" P.H. PHILLIPS
10	FS-040	AS REQ'D.	INSTALLATION SCREWS	#12 X 1 1/4" F.H./PHIL.
11	L-7531	AS REQ'D.	BULB VINYL WTS'P	1/4" DIA. BULB #3033
12	PWS-003	AS REQ'D.	FIN SEAL WEATHERSTRIP	.187"x.230"
13	PWS-005	AS REQ'D.	FIN SEAL WEATHERSTRIP	.187"x.350"
14	PWS-009	AS REQ'D.	FIN SEAL WEATHERSTRIP	.187"x.310"
15	HC-024-1	2	SELF ADHESIVE PILE PAD	1/4" X 1 1/2"
16	L-7711	AS REQ'D.	GLAZING BEAD	6063-T5 ALUMINUM
17	L-4204	AS REQ'D.	GLAZING BEAD	6063-T5 ALUMINUM
18	L-7723	1	SASH BALANCE CAM/GUIDE	(2 X VENT)
19	L-7725	2	RIGID VINYL SASH STOP	(2 X FRAME)
20	L-7727	2	BLOCK & TACKLE BALANCE	BSI Balance Systems
21	L-7539	2	VENT EXTRUDED LATCH	(2 X VENT)
22	L-7523	2	VENT LATCH SPRING	(1 X LATCH)
23	SM-5731	AS REQ'D.	GLAZING SILICONE	SM-5731
24	*	2	Laminated Glass	SEE GLAZING DETAILS
25	HC-057-1	2	VENT MOLDED LATCH	MOLDED NYLON
26	HC-058-1	2	VENT SWEEP LATCH	MOLDED NYLON
27	*	2	FRAME SILL FOAM GASKET	SELF ADHESIVE
28	HC-026-1	1	SCREEN FRAME & MESH	
29	L-7730	1	PRODUCT LABEL	
30	*	2	Assembly Joint Gasket	AT FRAME SILL
31	SM-5504	AS REQ'D.	JOINT SEALANT	SM-5504
32	*	AS REQ'D.	PERIMETER ACRYLIC CAULK	OSI POLYSEAMSEAL

8501 N.W. 90 ST.  
MEDLEY, FLORIDA 33166  
PH No. (305) 696-8660

**LAWSON INDUSTRIES, INC.**

MANUFACTURER OF QUALITY ALUMINUM WINDOWS AND GLASS DOORS

SERIES-7800 SINGLE HUNG FIN FRAME IMPACT WINDOW

BILL OF MATERIALS, EXTRUSION DETAILS & CORNER ASSEMBLY DETAILS

Revision #: 4 OF 4  
Sheet 4 OF 4  
Drawing Number: L7800-0801  
Product Reference Number:

Revision Notes:  
B. Revised to Comply w/ 2010 FBC  
C. Revised to Comply w/ 2014 FBC

Drawn By: N. ERAZO  
Date Drawn: 03-31-08

Reviewed By: N. ERAZO  
Date Reviewed: 08/11/14

Revision Level: C  
Scale:

PRODUCT REVISED  
as complying with the Florida  
Building Code  
Acceptance No. 14-0908.09  
Expiration Date 11/06/2018

By: *[Signature]*  
Miami Dade Product Control

THOMAS J. SOTOS  
PROFESSIONAL ENGINEER  
FL LIC. # 55225

DATE SEP 2014